

## Turntable TT 4.0 - 4t

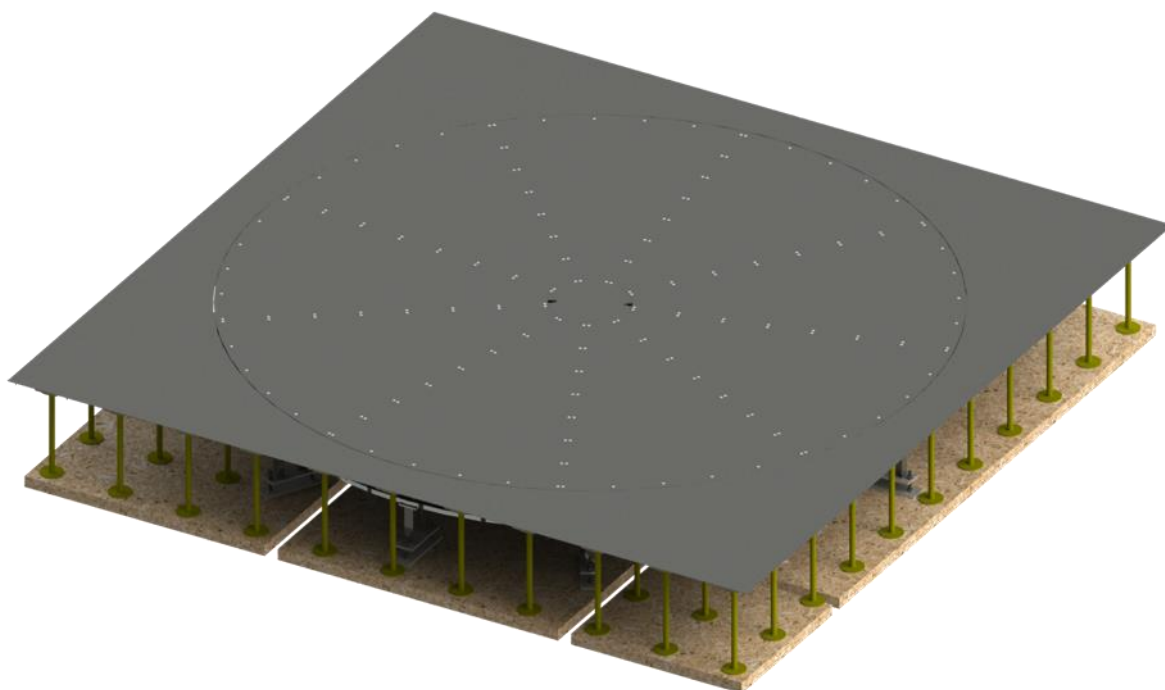
### Technical data:

Diameter	4.0 m
Load capability	4000 kg
Point load	650 kg at 10 cm x 10 cm
Height	500 mm
Material cover plate	Stainless steel
Rotating speed adjustable	0.1 rpm – 1.5 rpm
Positioning accuracy	+/- 0.5°
Rotating angle	-200° to 400°
Motor	Synchronous servo motor
Turntable drive	Worm gear
Elevation tolerance	< 3 mm
Gap between TT and the surrounding	< 5 mm
Concentricity tolerance	+/- 1 mm
Ground plane connecting	every 50 mm
Square border interface (easy fitting into ground plane of chamber)	4.5 m x 4.5 m
Voltage	380 VAC – 480 VAC, 50 Hz / 60 Hz, three phases
Current consumption	max. 16 A
Required RCD	300 mA
Control cable	Fiber optic lines
Remote control via	LAN (TCP/IP); (IEEE only with NCD)
Interference suppression	20 dB under limits DIN EN 55011:2022-05 class B
Temperature working range	10° C – 35 ° C
Total weight	approx. 3500 kg
Accessories	Service manual Standard CP equipped with: <ul style="list-style-type: none"><li>- 2x Schuko 230V/16A</li><li>- 1x CEE 400V/16A 3 phase</li></ul>

## Brief description

The turntable TT 4.0-4t is especially designed for flush mounted installation in semi anechoic electromagnetic absorption chambers. The carrier plate is made of stainless steel.

The LAN (TCP/IP) - interface provides an additional control option for all functions, when operated with the FCU<sup>3.0</sup> or NCD Controller.



## Power supply in the turntable center

It is possible to integrate various types of connectors for the power supply of the EUT. A standard 285 mm diameter opening in the center of the turntable provides the capability to insert power supply for testing, other diameters on request.



Standard center plate

Phone: +49 (0)9606 923913-0  
Fax: +49 (0)9606 923913-29

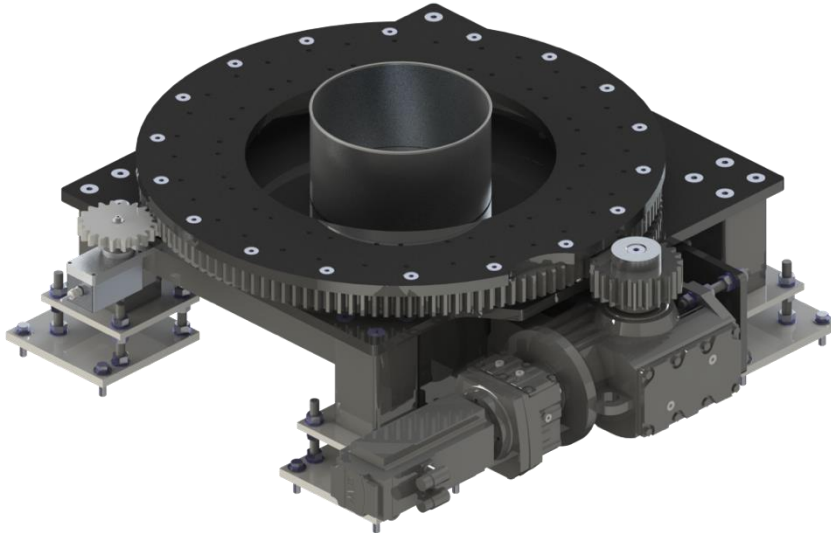


Example for a customized center plate

Web: [www.matur-gmbh.de](http://www.matur-gmbh.de)

### Rotary encoder and limit switch

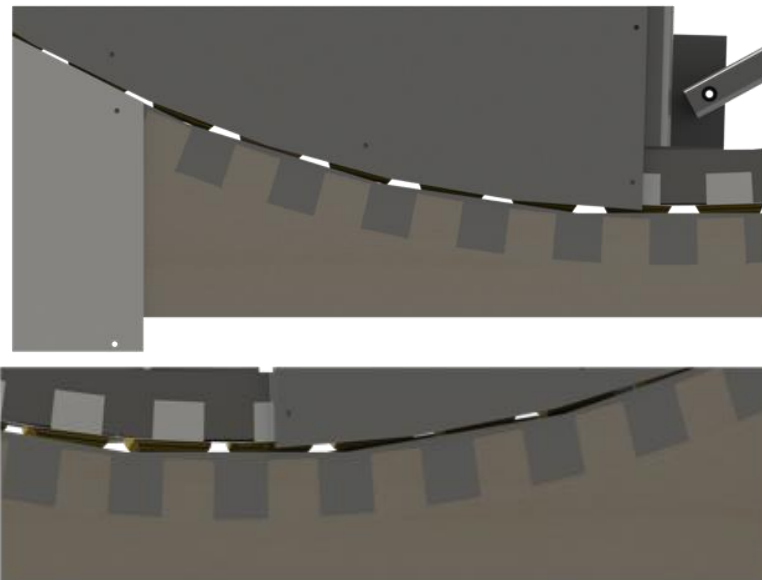
The turntable is equipped with a rotary encoder to guarantee the exact positioning of the turntable.



Rotary encoder and limit switch system

### Connection to ground plane

A long-lasting, maintenance-free contact system is included, which is made by hollow core copper beryllium tubing.



Contact system between the turntable and the surrounding

### Turntable structure:

Solid welded steel construction; parts are assembled with screws (for easy transportation).  
The complete structure is either pre-coated and painted or galvanised for long-lasting performance of the system.



Turntable structure made of solid welded steel

### *Further specifications and options available upon request*

#### The following options are available upon request:

- Power supply in the centre with different connectors
- External power supply outside the centre with energy chain
- Continuous rotation with integrated slip rings or rotary joints
- Integrated exhaust gas extraction system
- Integrated cooling fan system
- Vehicle charging possibility
- Maintenance hatch
- Higher positioning accuracy
- Outdoor applications

Information presented enclosed is subject to change as product enhancements are made regularly. Pictures included are for illustration purposes only and do not represent all possible configurations.